

Thermal

The advantages of cameras in the thermal series are apparent: they don't depend on light conditions, provide constant imaging any time of day, and can penetrate haze and fog. They're your all-weather, all-area, round-the-clock heat detector that can spot fire, monitor temperature, and even catch camouflaged people and vehicles when entering areas considered off-limits.

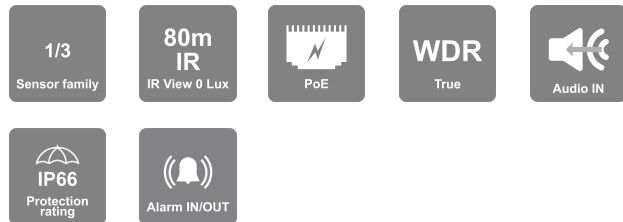


BLH-THERMAL-25

Thermal/Optical Bi-Spectrum Fixed Lens Bullet Camera

Ideal for fire detection, temperature monitoring, and security surveillance, this 5MP Thermal camera can detect, alert and provide complete situational awareness in the most challenging environments. The BLH-THERMAL-25 incorporates an optic lens and a thermal module, allowing operators to monitor large areas in total darkness, glaring light, and adverse weather by combining thermal and visible light images. Equipped with our DDA™ Analytics (Detect, Distinguish, Alert) and active deterrence mechanisms (white strobe light and speaker), the BLH-THERMAL-25 delivers a strong and impactful tool for any installation.

Thermal



MAIN FEATURES

- BLH-THERMAL-25
- Optical Sensor: 1/2.7" CMOS
- Optical Resolution: 2592×1944 25/30FPS (5MP)
- Thermal Sensor: 17µm α-Si uncooled focal plane array detector
- Thermal Resolution: 384×288
- Temperature Range: -20° ~ 150° C
- Lens: Optical: 16mm (19.8°) Thermal: 25mm (15°)
- True Day&Night - ICR
- Illumination: 80m (2 High-Power IR LED) + White Strobe light
- Compression: H.265/H.264/MJPEG
- Quantum IoT Nano agent by Check Point™
- General Analytics: Camera Tampering
- AI (Optical Image): AI (Object Recognition): DDA Sterile Area, DDA Line Crossing, DDA Object Counting (Line), DDA Object Counting (Area), DDA Loitering Detection, DDA Illegal Parking Detection
- AI (Face Detection): 10 Faces per frame
- AI (Thermal): DDA Sterile Area, DDA Line Crossing
- Audio Exception
- True WDR (120dB), BLC, HLC, ROI
- SD Card: Event/Schedule Record (Up to 256Gb)
- Alarm in + Alarm out
- Built-in speaker + Audio input
- ONVIF: Profile M/T/S/G
- Water Proof: IP66
- Weight: ~1180g
- Power: DC12V/~650mA / PoE/~9W



<https://provision-isr.com>

SPECIFICATIONS

Video	
Image Sensor	1/2.7" CMOS
Effective Pixels	2592x1944
Electronic Shutter	1/1s ~ 1/100000s
Day & Night	ICR
Min. Illumination	Day: 0.1lux / Night: 0.0125lux (@F2.0, AGC on) 0lux with IR on

Video (Thermal)	
Detector Type	17 μ m α -Si uncooled focal plane array detector
Temperature Range	-20° ~ 150° C
Spectral Range	8 μ m-14 μ m
Thermal Sensitivity (NETD)	\leq 40mK(@25°C, F#=1.0)
Color Sets	Black Hot, White Hot, Rainbow, Iron Oxide Red, Lava
Temperature Detection Distance	25m (Object size is 0.1m * 0.1m) In theory: when the size of the object is doubled - the detection distance is also doubled
Fire Detection Distance	80m (Flame size is 0.1m * 0.1m) In theory: when the size of the flame is doubled - the detection distance is also doubled
DRI Distance Human	Detection: 735m(2411ft) Recognition: 184m(604ft) Identification:92m(302ft)
DRI Distance Vehicle	Detection: 2255m(7398ft) Recognition: 564m(1850ft) Identification:282m(925ft)

NDAA Compliant	
NDAA Compliant	Yes

Lens	
Lens (Field of View)	Optical: 16mm (19.8°) Thermal: 25mm (15°)
Iris	Fixed Iris
Lens Mount	M12 Mount

Image	
Image Settings	AWB, AGC Adjustable, Exposure Mode (Auto) Sharpness, Saturation, Brightness & Contrast Adjustable, Lens distortion correction

Image Enhancement	True WDR (120dB), BLC, HLC, ROI
Noise Reduction	3D-DNR
Image Orientation	Mirror/Flip
Privacy Zone	Yes

Housing

Bracket	3-Axis Bracket
Illumination	80m (2 High-Power IR LED) White Strobe light
PoE	Yes
Power Supply	DC12V/~650mA / PoE/~9W
Protection Rate	Water Proof: IP66
Work Environment	-30°C~60°C, 10%~90% Humidity
Dimensions	278.3x88.7x100.2mm
Weight (gross)	~1180g
Hard Reset Button	Yes

Network

Remote Monitoring	IE Browsing, Ossia VMS Software, Provision Cam2 Mobile App
User Access	Supports simultaneous monitoring of up to 10 users with multi-stream real-time transmission
Network Protocol	IPv4, IPv6, TCP, UDP, DHCP, NTP, DDNS, 802.1X, RTSP, Multicast, UPnP, Email, FTP, HTTPS, QoS, HTTP POST, P2P
ONVIF	Profile M/T/S/G
Ethernet	100Mbps

Events and Analytics

Analytics	General Analytics: Camera Tampering AI (Optical Image): AI (Object Recognition): DDA Sterile Area, DDA Line Crossing, DDA Object Counting (Line), DDA Object Counting (Area), DDA Loitering Detection, DDA Illegal Parking Detection AI (Face Detection): 10 Faces per frame AI (Thermal): DDA Sterile Area, DDA Line Crossing Audio Exception
Motion Detection	Yes

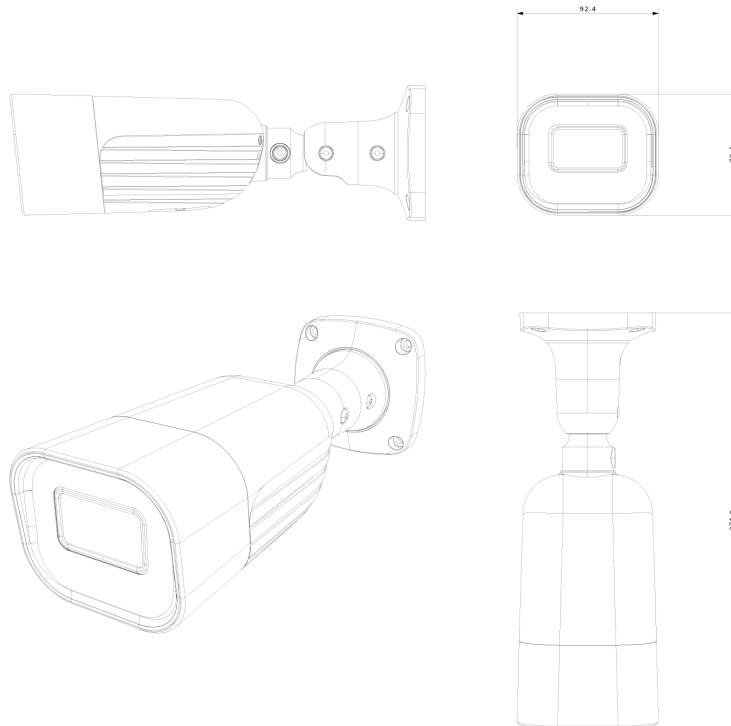
Connectivity	
Network	RJ45 (+PoE)
Audio Connectivity	Built-in speaker + Audio input
Alarm	Alarm in + Alarm out
SD Card	Event/Schedule based Main/Substream recording (Up to 256Gb)
Power	PoE / DC Socket
Analog Video Output	No

Compression	
Video Compression	H.265/H.264/MJPEG
Frame Rate	1-25/30FPS
Resolution	384x288
Multi-Stream	Master Stream: 5MP(2592x1944) / 4MP(2592x1520) / 2K (2560x1440) / 3MP / 2MP / 1MP Substream: 1MP / D1 / CIF / QCIF Third Stream: D1 / CIF / QCIF (1~30fps) Thermal Stream: 1MP / D1 / CIF / QCIF
Bit Rate	64Kbps ~ 11Mbps@H.265 / 64Kbps ~ 11Mbps@H.264
Encode Mode	VBR/CBR
Image Quality	Five levels under VBR; Free adjustment under CBR

Audio	
Audio compression	G.711A/G.711U
Communication	2-Way Audio

3rd Party Cyber Protection	
General	Quantum IoT Nano agent by Check Point™
Protection Methods	Shell injection protection, File Monitor, Import-Table Protection, Dynamic-Memory Protection

DIMENSIONS



ACCESSORIES

