

S-Sight

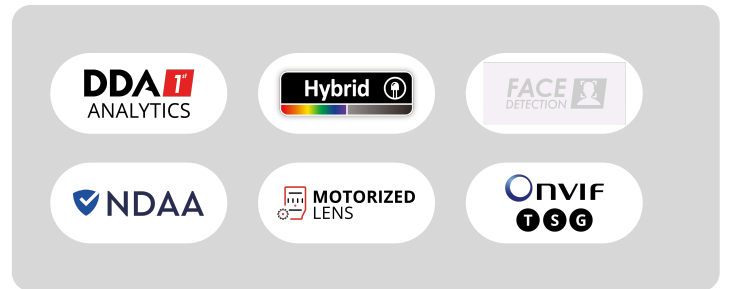
This series simplifies surveillance with high-quality images and enhanced night vision capabilities. Powered by AI (DDA™ Video Analytics and Face Recognition) and equipped with Check Point protection for comprehensive monitoring. Choose from rainbow cameras, Motorized Varifocal options, and Anti-Vandal designs for high-security areas.



BMH-340SRN-MVF

4MP Rainbox MVF Lens Bullet Camera with Hybrid LED and DDA1 Analytics

The rainbow camera series is equipped with super light-sensitive sensors that allow the camera to provide a color image throughout the day. When the ambient light is insufficient, the camera will turn on the integral lighting, allowing it to continue providing a full-color image. The Hybrid solution lets you choose between standard IR, which provides a B&W image, and white LED, which provides a colorful image. The camera also offers outstanding DDA Analytics (Detect, Distinguish, Alert), which can perform human and vehicle recognition. With its outstanding performance, reliability, and affordable price, the BMH-340SRN-MVF camera is the perfect solution for indoor/outdoor installations.



MAIN FEATURES

- BMH-340SRN-MVF 4MP Rainbox MVF Lens Bullet Camera with Hybrid LED and DDA1 Analytics
- Sensor: 1/3" CMOS (16:9)
- Resolution: 2592×1520 25/30FPS (4MP)
- Lens: 2.8-12mm MVF with Auto Focus (97°-33°) ICR + 24/7 Full-Color Day Mode
- Illumination: 40m (1 High-Power IR LED) + 40m (2 High-Power White LED)
- Compression: H.265+/ H.264+ / H.265 / H.264 / MJPEG
- General Analytics: Camera Tampering
- AI (Object Recognition): DDA Sterile Area, DDA Line Crossing
- True WDR (120dB), BLC, HLC, ROI
- SD Card: Event/Schedule Record (Up to 128GB)
- Built-in Microphone + Audio input
- ONVIF: Profile T/S/G
- Water Proof: IP67
- Weight: ~650g
- Power: DC12V/~780mA / PoE/~7.4W



<https://provision-isr.com>

SPECIFICATIONS

3rd Party Cyber Protection	
General	N/A
Protection Methods	N/A
NDAA Compliant	
NDAA Compliant	Yes
Video	
Image Sensor	1/3" CMOS (16:9)
Effective Pixels	2592×1520
Electronic Shutter	1/25s ~ 1/100000s
Day & Night	ICR + 24/7 Full-Color Day Mode
Min. Illumination	Day: 0.1lux / Night: 0.003lux (@F1.0, AGC on) 0lux with IR on
Audio	
Audio compression	G.711A/G.711U
Communication	One-Way Audio
Image	
Image Settings	AWB, AGC Adjustable, Exposure Mode (Auto) Sharpness, Saturation, Brightness & Contrast Adjustable
Image Enhancement	True WDR (120dB), BLC, HLC, ROI
Noise Reduction	3D-DNR
Image Orientation	Mirror/Flip, Corridor Mode
Privacy Zone	Yes
Events and Analytics	
Analytics	General Analytics: Camera Tampering AI (Object Recognition): DDA Sterile Area, DDA Line Crossing
Motion Detection	Yes
Compression	

Resolution	4MP (2560x1440) / 3MP (2304x1296) / 2MP (1920x1080) / D1 / QVGA / CIF
Frame Rate	1-25/30FPS
Video Compression	H.265+/ H.264+ / H.265 / H.264 / MJPEG**
Multi-Stream	Master Stream: 4MP (2560x1440) / 3MP (2304x1296) / 2MP (1~30fps) Substream: 1MP (1~12/15fps) / QVGA/D1/CIF (1~30fps) Third Stream: QVGA/D1/CIF (1~30fps)
Bit Rate	64Kbps ~ 5Mbps@H.265 / 64Kbps ~ 5Mbps@H.264
Encode Mode	VBR/CBR
Image Quality	Five levels under VBR; Free adjustment under CBR

Lens	
Lens (Field of View)	2.8-12mm MVF with Auto Focus (97°-33°)
Iris	DC Iris
Lens Mount	Ø14 Mount
Detect	2.8~12mm(W): 59.05m(193.73ft) - 2.8~12mm(T): 181.84m(596.58ft)
Recognize	2.8~12mm(W): 11.81m(38.74ft) - 2.8~12mm(T): 36.37m(119.32ft)
Identify	2.8~12mm(W): 5.90m(19.35ft) - 2.8~12mm(T): 18.18m(59.64ft)

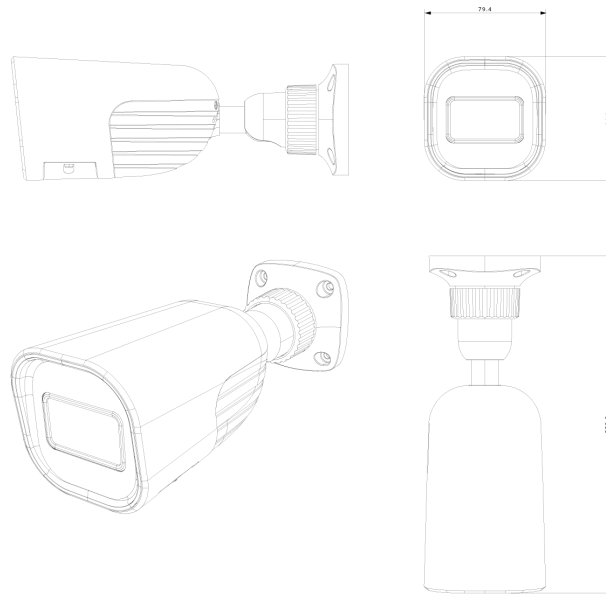
Network	
User Access	Supports simultaneous monitoring of up to 3 users with multi-stream real-time transmission
Network Protocol	IPv4, IPv6, TCP, UDP, DHCP, NTP, DDNS, 802.1X, RTSP, Multicast, UPnP, Email, FTP, HTTPS, QoS, P2P
Remote Monitoring	Web Browsing, Ossia VMS Software, Provision Cam2 Mobile App
Ethernet	100Mbps
ONVIF	Profile T/S/G

Connectivity	
Network	RJ45 (+PoE)
Audio Connectivity	Built-in Microphone + Audio input

Alarm	No
SD Card	Event/Schedule based Main/Substream recording (Up to 128GB)
Wiegand	No
Power	DC Socket
Analog Video Output	No

Housing	
PoE	Yes
Illumination	40m (1 High-Power IR LED) 40m (2 High-Power White LED)
Power Supply	DC12V/~780mA / PoE/~7.4W
Protection Rate	Water Proof: IP67
Work Environment	-30°C~60°C, 10%~90% Humidity
Bracket	3-Axis Bracket
Dimensions	220.8x79.4x81.2mm
Weight (gross)	~650g
Hard Reset Button	Yes

DIMENSIONS



ACCESSORIES

