

Rainbow

Provision-ISR's Rainbow cameras, equipped with CNV (Color Night Vision) technology, yield sharp and superior colors even in poor light conditions, providing visual details that significantly contribute to identifying people or objects.



BSV-320AR-36

2MP 24/7 Full-Color Fixed Lens Small Bullet Camera

The rainbow camera series is equipped with super light-sensitive sensors that allow the camera to provide a color image throughout the day. When the ambient light is insufficient, the camera will turn on the integral lighting, allowing it to continue providing a full-color image. Featuring 4in1 technology, the camera is ideal for Plug & Play over existing analog infrastructure. With its outstanding performance, reliability, and affordable price, the BSV-320AR-36 camera is the perfect solution for basic installations.



BLC	HLC	Control over coax	2D-DNR	Build-In Mic
White LED	WDR True	3.6 mm Lens	IP67 Protection rating	20m IR IR View 0 Lux

4 IN 1	BUILT-IN MICROPHONE
FIXED LENS	rainbow COLOR NIGHT VISION

MAIN FEATURES

- BSV-320AR-36 2MP 24/7 Full-Color Fixed Lens Small Bullet Camera
- Sensor: 1/2.8" 5MP CMOS Sensor
- Selectable Output: 2MP: 1920x1080 AHD/TVI/CVI CVBS: 700TVL
- Lens: 3.6mm Mega-Pixel Fixed (85°)
- 24/7 Full-Color Day Mode
- 2D-DNR
- Digital WDR/HLC/BLC
- Illumination: 20m (2 High-Power White LED)
- IP67
- Weight: ~480g
- Power: DC12V/300mA



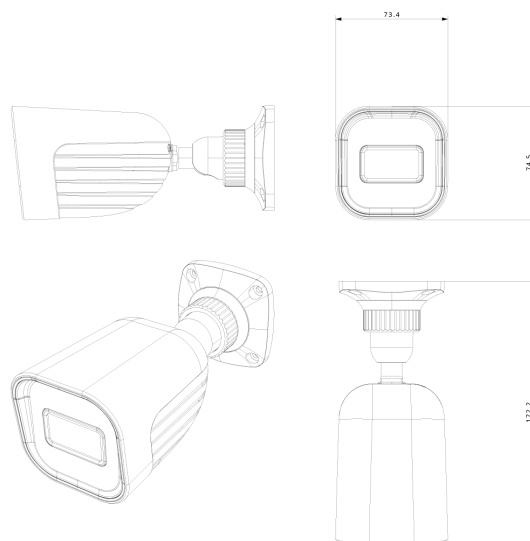
<https://provision-isr.com>

SPECIFICATIONS

Video	
Image Sensor	1/2.8" 5MP CMOS Sensor
Image Format	16:9
Effective Pixels	1920 x 1080
Scanning System	Progressive
Min. Illumination	0 lux with LED
Day & Night	24/7 Full-Color Day Mode
Day & Night Modes	24/7 Full-Color Day Mode only
Compression	
Resolution	2MP: 1920x1080 AHD/TVI/CVI CVBS: 700TVL
Frame Rate	25/30FPS
Image	
Backlight Compensation	BLC/HLC
S/N Ratio	≥52dB (AGC off)
Privacy Zone	no
Noise Reduction	2D-DNR
Image Enhancement	Digital WDR, BLC, HLC
On Screen Data	
CoC Support	Yes
OSD Menu	Available via CoC only
Lens	
Field of View	3.6mm Mega-Pixel Fixed (85°)
Iris	Fixed Iris
Lens Mount	M12 Mount

Connectivity	
Video Output	2MP AHD/TVI/CVI/CVBS + PAL/NTSC
Audio Connectivity	Built-in Microphone
Housing	
Illumination	20m (2 High-Power White LED)
Bracket	3-Axis Bracket
Protection Rate	IP67
Dimensions	172.2*73.4*74.5mm
Weight (gross)	~480g
Power	DC12V/300mA
Work Environment	-30°C ~ 50°C , 10% ~ 90% humidity

DIMENSIONS



ACCESSORIES

