

Eye-Sight

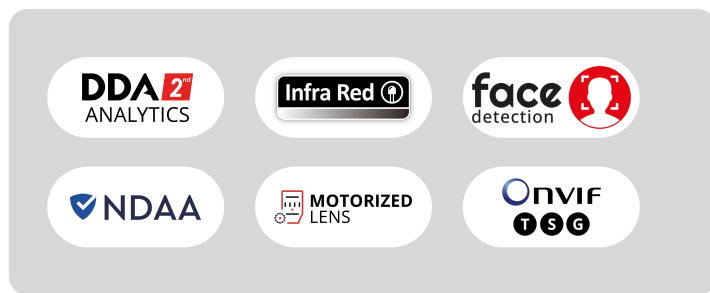
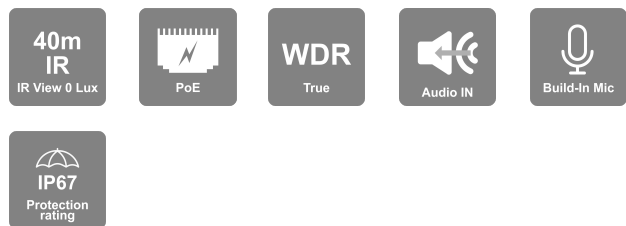
This series is designed for security professionals and offers superior image quality, advanced AI analytics, seamless connectivity, and unparalleled insight and protection, with options and configurations to meet specific needs. The Check Point Quantum IoT Nano and DDA2 Analytics provide detailed attribute analysis and advanced threat prevention.



DI-380IPEN-MVF-V3

8MP MVF Lens Dome/Turret Camera with IR LED and DDA2 Analytics

Equipped with a 2.8-12mm motorized lens, this 8MP Dome camera is designed for long-distance surveillance (up to 40m) in indoor and outdoor scenarios. This model complies with NDAA demands and ensures your device is cyber-protected round the clock with the integrated Check Point Quantum IoT Nano agent that provides an advanced threat prevention layer against the common attack vectors at runtime. The camera offers broad possibilities for Analytics, from Face Detection to the outstanding DDA Analytics (Detect, Distinguish, Alert) and the newly developed DDA2, which can perform object recognition, object counting, and investigate specifics such as age, color, gender, vehicle brand and much more. With various detection rules and triggers, the DI-380IPEN-MVF-G-V3 camera is here to end false alarms.



MAIN FEATURES

- DI-380IPEN-MVF-V3 8MP MVF Lens Dome/Turret Camera with IR LED and DDA2 Analytics
- Sensor: 1/2.8" CMOS (16:9)
- Resolution: 3840x2160 25/30FPS (8MP)
- Lens: 2.8-12mm MVF with Auto Focus (96°- 32°)
- True Day&Night – ICR
- Illumination: 40m (4 High-Power IR LED)
- Compression: H.265+ / H.264+ / H.265 / H.264 / MJPEG
- Quantum IoT Nano agent by Check Point™
- General Analytics: Camera Tampering
- AI (Object Recognition): DDA Sterile Area, DDA Line Crossing, DDA Object Counting (Line), DDA Object Counting (Area), DDA Loitering Detection, DDA Illegal Parking Detection
- AI (Face Detection): 10 Faces per frame
- AI: Heatmap
- DDA2: Advanced Object Classification
- True WDR (120dB), BLC, HLC, ROI
- SD Card: Event/Schedule Record (Up to 256GB)
- Built-in Microphone + Audio input
- ONVIF: Profile T/S/G
- Water Proof: IP67
- Weight: ~1040g
- Power: DC12V/~750mA / PoE/~10W



<https://provision-isr.com>

SPECIFICATIONS

| 3rd Party Cyber Protection | |
|----------------------------|---|
| General | Quantum IoT Nano agent by Check Point™ |
| Protection Methods | Shell injection protection, File Monitor, Import-Table Protection, Dynamic-Memory Protection |
| NDAA Compliant | |
| NDAA Compliant | Yes |
| Video | |
| Image Sensor | 1/2.8" CMOS (16:9) |
| Effective Pixels | 3840x2160 |
| Electronic Shutter | 1/3s ~ 1/10000s |
| Day & Night | ICR |
| Min. Illumination | 0.015 lux (@F1.4, AGC on) 0 lux with IR on |
| Audio | |
| Audio compression | G.711A/G.711U |
| Communication | Two-Way Audio |
| Image | |
| Image Settings | AWB, AGC Adjustable, Exposure Mode (Auto) Sharpness, Saturation, Brightness & Contrast Adjustable |
| Image Enhancement | True WDR*** (120dB), BLC, HLC, ROI |
| Noise Reduction | 3D-DNR |
| Image Orientation | Mirror/Flip, Corridor Mode |
| Privacy Zone | Yes |
| Events and Analytics | |
| Analytics | General Analytics: Camera Tampering AI (Object Recognition): DDA Sterile Area, DDA Line Crossing, DDA Object Counting (Line), DDA Object Counting (Area), DDA Loitering Detection, DDA Illegal Parking Detection AI (Face Detection): 10 Faces per frame AI: Heatmap DDA2: Advanced Object Classification |
| Motion Detection | Yes |
| Compression | |

| | |
|--------------------------|--|
| Resolution | 8MP / 4K / 6MP / 5MP / 4MP / 2MP / 1MP / D1 / QVGA / CIF |
| Frame Rate | 1-25/30FPS in Normal Mode. 1-50/60FPS in HFR Mode*** |
| Video Compression | H.265+ / H.264+ / H.265 / H.264 / MJPEG** |
| Multi-Stream | Master Stream: 4K(3840x2160) / 6MP(3072x2048) / 5MP(2592x1944) / 2K(2560x1440) / 2MP(1920x1080) (1~20fps) Substream: 2MP/1MP/D1/CIF/QCIF Third Stream: 1MP/D1/CIF/QCIF (1~30fps) |
| Bit Rate | 64Kbps ~ 8Mbps@H.265 / 64Kbps ~ 12Mbps@H.264 |
| Encode Mode | VBR/CBR |
| Image Quality | Five levels under VBR; Free adjustment under CBR |

| Lens | |
|-----------------------------|--|
| Lens (Field of View) | 2.8-12mm MVF with Auto Focus (96°- 32°) |
| Iris | DC Iris |
| Lens Mount | Ø14 Mount |
| Detect | 2.8~12mm(W) 80m(262ft) 2.8~12mm(T) 273m(896ft) |
| Recognize | 2.8~12mm(W) 16m(52ft) 2.8~12mm(T) 55m(180ft) |
| Identify | 2.8~12mm(W) 8m(26ft) 2.8~12mm(T) 27m(89ft) |

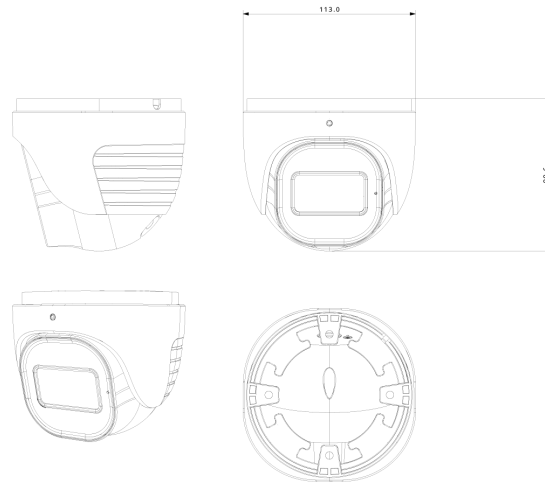
| Network | |
|--------------------------|---|
| User Access | Supports simultaneous monitoring of up to 10 users with multi-stream real-time transmission |
| Network Protocol | IPv4, IPv6, TCP, UDP, DHCP, NTP, DDNS, SNMP, 802.1X, RTSP, RTMP, Multicast, UPnP, Email, FTP, HTTPS, QoS, P2P, HTTP POST, Auto Report |
| Remote Monitoring | IE Browsing (Plug-In required), Chrome/Edge/Safari/Firefox plug-in free browsing, Ossia VMS Software, Provision Cam2 Mobile App *P2P WEB connetion always requires Plugin |
| Ethernet | 100Mbps |
| ONVIF | Profile T/S/G |

| Connectivity | |
|---------------------------|-----------------------------------|
| Network | RJ45 (+PoE) |
| Audio Connectivity | Built-in Microphone + Audio input |

| | |
|----------------------------|---|
| Alarm | No |
| SD Card | Event/Schedule based Main/Substream recording (Up to 256GB) |
| Wiegand | No |
| Power | DC Socket |
| Analog Video Output | No |

| Housing | |
|--------------------------|------------------------------|
| PoE | Yes |
| Illumination | 40m (4 High-Power IR LED) |
| Power Supply | DC12V/~750mA / PoE/~10W |
| Protection Rate | Water Proof: IP67 |
| Work Environment | -30°C~60°C, 10%~90% Humidity |
| Bracket | 3-Axis Bracket |
| Dimensions | Ø113mm×99.6mm |
| Weight (gross) | ~1040g |
| Hard Reset Button | Yes |

DIMENSIONS



ACCESSORIES

