

## S-Sight

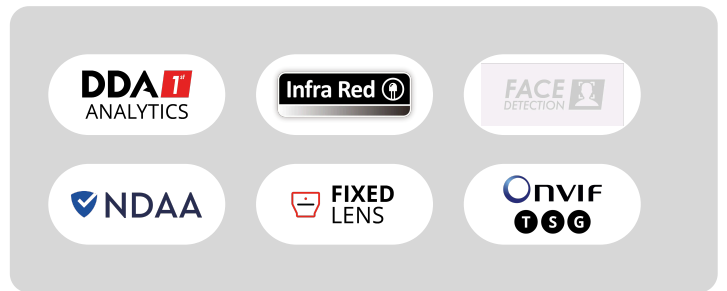
This series simplifies surveillance with high-quality images and enhanced night vision capabilities. Powered by AI (DDA™ Video Analytics) and equipped with Check Point protection for comprehensive monitoring. Choose from rainbow cameras, Motorized Varifocal options, and Anti-Vandal designs for high-security areas.



# DI-320IPSN-28-G-V2

## 2MP Fixed Lens Dome/Turret Camera with IR LED and DDA1 Analytics

Equipped with a wide-angle 2.8mm fixed lens, this 2MP dome/turret camera is designed for short-distance surveillance (up to 20m) in indoor and outdoor scenarios. The camera offers outstanding DDA Analytics (Detect, Distinguish, Alert), which can perform human and vehicle recognition. With its outstanding performance, reliability, and affordable price, the DI-320IPSN-28-V2 camera is the perfect solution for basic installations.



## MAIN FEATURES

- DI-320IPSN-28-G-V2 2MP Fixed Lens Dome/Turret Camera with IR LED and DDA1 Analytics
- Sensor: 1/2.8" CMOS (16:9)
- Resolution: 1920×1080 25/30FPS (2MP)
- Lens: 2.8mm (107°)
- True Day&Night – ICR
- Illumination: 20m (1 High-Power IR LED)
- Compression: H.265 / H.264 / MJPEG
- General Analytics: Camera Tampering
- AI (Object Recognition): DDA Sterile Area, DDA Line Crossing
- True WDR (120dB), BLC, HLC, ROI
- SD Card: Event/Schedule Record (Up to 128GB)
- Built-in Microphone
- ONVIF: Profile T/S/G
- Water Proof: IP67
- Weight: ~450g
- Power: DC12V/~420mA / PoE/~5.4W



<https://provision-isr.com>

## SPECIFICATIONS

3rd Party Cyber Protection	
General	N/A
Protection Methods	N/A
NDAA Compliant	
NDAA Compliant	Yes
Video	
Image Sensor	1/2.8" CMOS (16:9)
Effective Pixels	1920x1080
Electronic Shutter	1/25s ~ 1/100000s
Day & Night	ICR
Min. Illumination	Day: 0.1lux / Night: 0.009lux (@F1.6, AGC on) 0lux with IR on
Audio	
Audio compression	G.711A/G.711U
Communication	One-Way Audio
Image	
Image Settings	AWB, AGC Adjustable, Exposure Mode (Auto) Sharpness, Saturation, Brightness & Contrast Adjustable
Image Enhancement	True WDR (120dB), BLC, HLC, ROI
Noise Reduction	3D-DNR
Image Orientation	Mirror/Flip
Privacy Zone	Yes
Events and Analytics	
Analytics	General Analytics: Camera Tampering AI (Object Recognition); DDA Sterile Area, DDA Line Crossing
Motion Detection	Yes
Compression	

<b>Resolution</b>	2MP (1920x1080) / 1MP (1280x720) / D1 (704x576) / CIF (352x288)
<b>Frame Rate</b>	1-25/30FPS
<b>Video Compression</b>	H.265 / H.264 / MJPEG**
<b>Multi-Stream</b>	Master Stream: 2MP (1920x1050) / 1MP (1280x720) (1~30fps) Substream: QVGA/D1/CIF Third Stream: QVGA/D1/CIF (1~30fps)
<b>Bit Rate</b>	64Kbps ~ 4Mbps@H.265 / 64Kbps ~ 6Mbps@H.264
<b>Encode Mode</b>	VBR/CBR
<b>Image Quality</b>	Five levels under VBR; Free adjustment under CBR

<b>Lens</b>	
<b>Lens (Field of View)</b>	2.8mm (107°)
<b>Iris</b>	Fixed Iris
<b>Lens Mount</b>	M12 Mount
<b>Detect</b>	40.62m(133.26ft)
<b>Recognize</b>	8.12m(26.64ft)
<b>Identify</b>	4.06m(13.32ft)

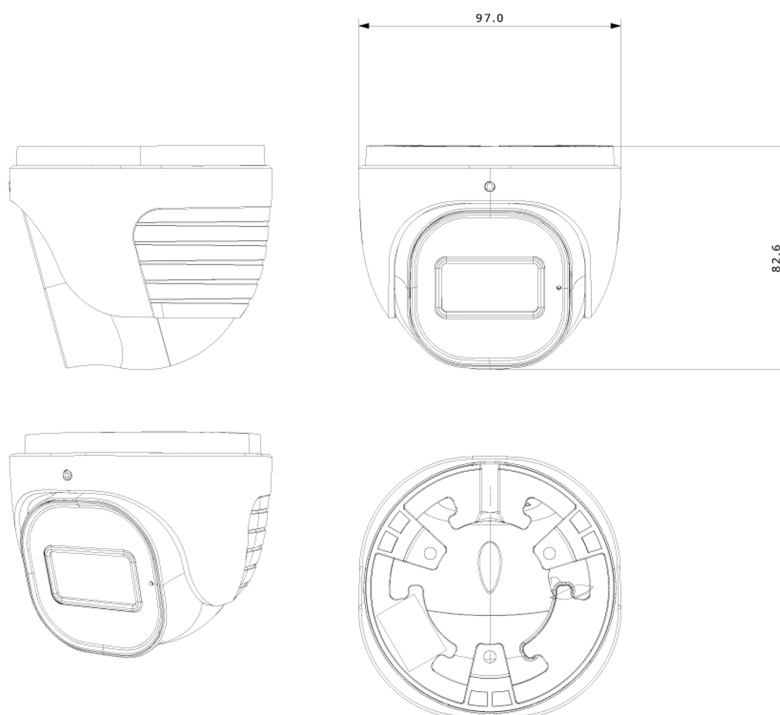
<b>Network</b>	
<b>User Access</b>	Supports simultaneous monitoring of up to 3 users with multi-stream real-time transmission
<b>Network Protocol</b>	IPv4, IPv6, TCP, UDP, DHCP, NTP, DDNS, 802.1X, RTSP, Multicast, UPnP, Email, FTP, HTTPS, QoS
<b>Remote Monitoring</b>	IE Browsing (Plug-In required), Chrome/Edge/Safari/Firefox plug-in free browsing, Ossia VMS Software, Provision Cam2 Mobile App *P2P WEB connetion always requires Plugin
<b>Ethernet</b>	100Mbps
<b>ONVIF</b>	Profile T/S/G

<b>Connectivity</b>	
<b>Network</b>	RJ45 (+PoE)
<b>Audio Connectivity</b>	Built-in Microphone

<b>Alarm</b>	No
<b>SD Card</b>	Event/Schedule based Main/Substream recording (Up to 128GB)
<b>Wiegand</b>	N/A
<b>Power</b>	DC Socket
<b>Analog Video Output</b>	No

<b>Housing</b>	
<b>PoE</b>	Yes
<b>Illumination</b>	20m (1 High-Power IR LED)
<b>Power Supply</b>	DC12V/~420mA / PoE/~5.4W
<b>Protection Rate</b>	Water Proof: IP67
<b>Work Environment</b>	-30°C~60°C, 10%~90% Humidity
<b>Bracket</b>	3-Axis Bracket-G
<b>Dimensions</b>	Ø97mm×82.6mm
<b>Weight (gross)</b>	~450g
<b>Hard Reset Button</b>	Yes

## DIMENSIONS



## ACCESSORIES

