

# BLH-THERMAL2-25-V2

## 5MP Optical / VGA Thermal Bi-Spectrum Fixed Lens Large Bullet Camera with Hybrid LED and DDA Analytics

Ideal for fire detection, temperature monitoring, and security surveillance, this 5MP Thermal camera can detect, alert and provide complete situational awareness in the most challenging environments. The BLH-THERMAL2-25 incorporates an optic lens and a thermal module, allowing operators to monitor large areas in total darkness, glaring light, and adverse weather by combining thermal and visible light images. Equipped with our DDA™ Analytics (Detect, Distinguish, Alert) and active deterrence mechanisms (white strobe light and speaker), the BLH-THERMAL2-25 delivers a strong and impactful tool for any installation.

Thermal

**CHECK POINT EMBEDDED**

**5 MP**



- 1/3

Sensor family
- PoE
- WDR

True
- Audio IN
- IP66

Protection rating
- Alarm IN/OUT

### MAIN FEATURES

- BLH-THERMAL2-25-V2
- Optical Sensor: 1/2.7" CMOS
- Optical Resolution: 2592×1944 25/30FPS (5MP)
- Thermal Sensor: 12µm 640×512 Vanadium oxide uncooled focal plane detector
- Thermal Resolution: undefined
- Temperature Range: -20° ~ 150° C
- Lens (FoV): Optical: 12mm (24°) Thermal: 25mm (18°)
- True Day&Night – ICR
- Illumination: 70m (2 High-Power IR LED) + White Strobe light
- Compression: H.265/H.264/MJPEG
- Quantum IoT Nano agent by Check Point™
- General Analytics: Camera Tampering
- AI (Optical Image): AI (Object Recognition): DDA Sterile Area, DDA Line Crossing, DDA Object Counting (Line), DDA Object Counting (Area), DDA Loitering Detection, DDA Illegal Parking Detection
- AI (Face Detection): 10 Faces per frame
- AI (Thermal): DDA Sterile Area, DDA Line Crossing
- Audio Exception
- True WDR (120dB), BLC, HLC, ROI
- SD Card: Event/Schedule Record (Up to 256Gb)
- 4Ch Input, 4Ch Output
- Built-in speaker + Audio input
- ONVIF: Profile M/T/S/G
- Water Proof: IP66
- Weight: ~1270g
- Power: DC12V/~850mA / PoE/~14W



<https://provision-isr.com>

## SPECIFICATIONS

Video (Optical)	
Image Sensor	1/2.7" CMOS
Effective Pixels	2592x1944
Electronic Shutter	1/3 ~ 1/1000000s
Frame Rate	1-25/30FPS
Day & Night	ICR
Min. Illumination	Day: 0.1lux / Night: 0.03lux (@F2.0, AGC on) 0lux with IR on

Video (Thermal)	
Detector Type	12μm 640x512 Vanadium oxide uncooled focal plane detector
Thermal Resolution	640x512
Temperature Range	-20° ~ 150° C
Measurement Accuracy	±8°C (Varies with target emissivity, ambient conditions, and distance)
Spectral Range	8μm-14μm
Thermal Sensitivity (NETD)	≤40mK(@25°C, F#=1.0)
Color Sets	Black Hot, White Hot, Rainbow, Iron Oxide Red
Temperature Detection Distance	35m (Object size is 0.1m * 0.1m) In theory: when the size of the object is doubled - the detection distance is also doubled
Fire Detection Distance	100m (Flame size is 0.1m * 0.1m) In theory: when the size of the flame is doubled - the detection distance is also doubled
DRI Distance Human	Detection: 1042m(3418ft) Recognition: 260m(853ft) Identification: 130m(426ft)
DRI Distance Vehicle	Detection: 3194m(10479ft) Recognition: 799m(2621ft) Identification: 399m(1309ft)

NDAA Compliant	
NDAA Compliant	Yes

Lens	
Lens (Field of View)	Optical: 12mm (24°) Thermal: 25mm (18°)
Iris	Fixed Iris

<b>Lens Mount</b>	M12 Mount
-------------------	-----------

## Image

<b>Image Settings</b>	AWB, AGC Adjustable, Exposure Mode (Auto) Sharpness, Saturation, Brightness & Contrast Adjustable, Lens distortion correction
<b>Image Enhancement</b>	True WDR (120dB), BLC, HLC, ROI
<b>Noise Reduction</b>	3D-DNR
<b>Image Orientation</b>	Mirror/Flip
<b>Privacy Zone</b>	Yes

## Housing

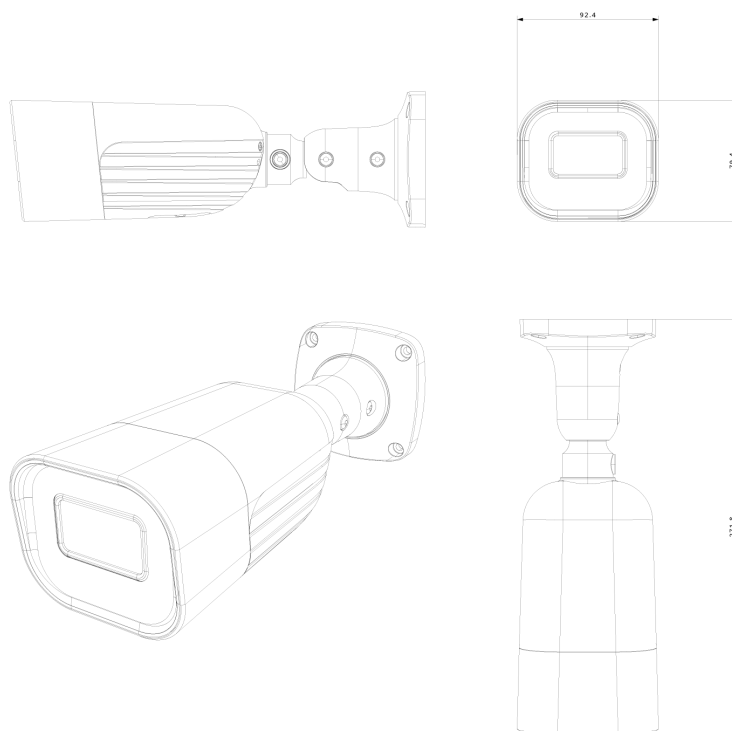
<b>Bracket</b>	3-Axis Bracket
<b>Illumination</b>	70m (2 High-Power IR LED) White Strobe light
<b>PoE</b>	Yes
<b>Power Supply</b>	DC12V/~850mA / PoE/~14W
<b>Protection Rate</b>	Water Proof: IP66
<b>Work Environment</b>	-30°C~60°C, 10%~90% Humidity
<b>Dimensions</b>	278.3x88.7x100.2mm
<b>Weight (gross)</b>	~1270g
<b>Hard Reset Button</b>	Yes

## Network

<b>Remote Monitoring</b>	IE Browsing, Ossia VMS Software, Provision Cam2 Mobile App
<b>User Access</b>	Supports simultaneous monitoring of up to 10 users with multi-stream real-time transmission
<b>Network Protocol</b>	IPv4, IPv6, TCP, UDP, DHCP, NTP, DDNS, 802.1X, RTSP, Multicast, UPnP, Email, FTP, FTPS, SFTP, HTTPS, QoS, HTTP POST, P2P
<b>ONVIF</b>	Profile M/T/S/G
<b>Ethernet</b>	100Mbps

Events and Analytics	
<b>Analytics</b>	General Analytics: Camera Tampering AI (Optical Image): AI (Object Recognition): DDA Sterile Area, DDA Line Crossing, DDA Object Counting (Line), DDA Object Counting (Area), DDA Loitering Detection, DDA Illegal Parking Detection AI (Face Detection): 10 Faces per frame AI (Thermal): DDA Sterile Area, DDA Line Crossing Audio Exception
<b>Motion Detection</b>	Yes
Connectivity	
<b>Network</b>	RJ45 (+PoE)
<b>Audio Connectivity</b>	Built-in speaker + Audio input
<b>Alarm</b>	4Ch Input, 4Ch Output
<b>SD Card</b>	Event/Schedule based Main/Substream recording (Up to 256Gb)
<b>Power</b>	PoE / DC Socket
<b>Analog Video Output</b>	No
Compression	
<b>Video Compression</b>	H.265/H.264/MJPEG
<b>Multi-Stream</b>	Master Stream: 5MP(2592x1944) / 4MP(2592x1520) / 2K (2560x1440) / 3MP / 2MP / 1MP Substream: 1MP / D1 / CIF / QCIF Third Stream: D1 / CIF / QCIF (1~30fps) Thermal Stream: 1MP / D1 / CIF / QCIF
<b>Bit Rate</b>	64Kbps ~ 11Mbps@H.265 / 64Kbps ~ 11Mbps@H.264
<b>Encode Mode</b>	VBR/CBR
<b>Image Quality</b>	Five levels under VBR; Free adjustment under CBR
Audio	
<b>Audio compression</b>	G.711A/G.711U
<b>Communication</b>	2-Way Audio
3rd Party Cyber Protection	
<b>General</b>	Quantum IoT Nano agent by Check Point™
<b>Protection Methods</b>	Shell injection protection, File Monitor, Import-Table Protection, Dynamic-Memory Protection

## DIMENSIONS



## ACCESSORIES

