

## Eye-Sight

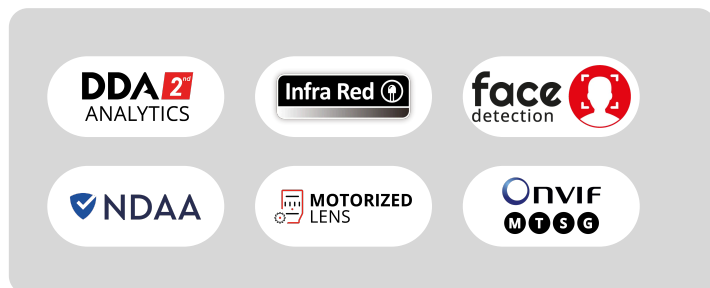
This series is designed for security professionals and offers superior image quality, advanced AI analytics, seamless connectivity, and unparalleled insight and protection, with options and configurations to meet specific needs. The Check Point Quantum IoT Nano and DDA2 Analytics provide detailed attribute analysis and advanced threat prevention.



# I4-360IPEN-MVF-V5

## 6MP MVF Lens Bullet Camera with IR LED and DDA2 Analytics

Equipped with a 2.8-12mm motorized lens, this 6MP camera is designed for medium-distance surveillance (up to 40m) in indoor and outdoor scenarios. Fitted with the new "Dual System" technology, the camera can deal with internal anomalies independently, making it more redundant to software-based issues. The camera offers broad possibilities for Analytics, from Face Detection to the outstanding DDA Analytics (Detect, Distinguish, Alert) and the newly developed DDA2, which can perform object recognition, object counting, and investigate specifics such as age, color, gender, vehicle brand and much more. The I4-360IPEN-MVF-V5 camera is here to end false alarms. Check Point Quantum IoT Nano agent is integrated into this model. It provides an advanced threat prevention layer against the common attack vectors at runtime.



## MAIN FEATURES

- I4-360IPEN-MVF-V5 6MP MVF Lens Bullet Camera with IR LED and DDA2 Analytics
- Sensor: 1/2.5" CMOS
- Resolution: 3296x1856 25/30FPS (6MP)
- Lens: 2.8-12mm MVF with Auto Focus (108°-35°)
- True Day&Night – ICR
- Illumination: 40m (3 High-Power IR LEDs)
- Compression: H.265+ / H.264+ / H.265 / H.264 / MJPEG
- Quantum IoT Nano agent by Check Point™
- General Analytics: Camera Tampering
- Human & Vehicle Recognition: SMD, Sterile Area, Line Crossing, Object Counting (Line), Object Counting (Area), Loitering Detection, Illegal Parking Detection
- AI (Face Detection): 10 Faces per frame
- AI: Heatmap
- DDA2: Advanced Object Classification
- Audio Exception
- True WDR (120dB), BLC, HLC, ROI
- SD Card: Event/Schedule Record (Up to 256GB)
- Alarm in + Alarm out
- Built-in Microphone + Audio input + Audio output
- ONVIF: Profile M/T/S/G
- Water Proof: IP67
- Weight: ~810g
- Power: DC12V/~700mA / PoE/~10W



## SPECIFICATIONS

3rd Party Cyber Protection	
<b>General</b>	Quantum IoT Nano agent by Check Point™
<b>Protection Methods</b>	Shell injection protection, File Monitor, Import-Table Protection, Dynamic-Memory Protection
NDAA Compliant	
<b>NDAA Compliant</b>	Yes
Video	
<b>Image Sensor</b>	1/2.5" CMOS
<b>Effective Pixels</b>	3296x1856
<b>Electronic Shutter</b>	1/4s ~ 1/100000s
<b>Day &amp; Night</b>	ICR
<b>Min. Illumination</b>	Day: 0.008lux (@F1.6, AGC on) 0lux with IR on
Audio	
<b>Audio compression</b>	G.711A/G.711U
<b>Communication</b>	Two-Way Audio
Image	
<b>Image Settings</b>	AWB, AGC Adjustable, Exposure Mode (Auto) Sharpness, Saturation, Brightness & Contrast Adjustable
<b>Image Enhancement</b>	True WDR (120dB), BLC, HLC, ROI
<b>Noise Reduction</b>	3D-DNR
<b>Image Orientation</b>	Mirror/Flip, Corridor Mode
<b>Privacy Zone</b>	Yes
Events and Analytics	
<b>Analytics</b>	General Analytics: Camera Tampering Human & Vehicle Recognition: SMD, Sterile Area, Line Crossing, Object Counting (Line), Object Counting (Area), Loitering Detection, Illegal Parking Detection AI (Face Detection): 10 Faces per frame AI: Heatmap DDA2: Advanced Object Classification Audio Exception
<b>Motion Detection</b>	Yes
<b>Metadata</b>	Human: Gender, Age, Direction, Hat, Glasses, Backpack, Upper clothing type, Upper clothing color, Lower clothing type, Lower clothing color, Skirt/Dress, Mask, Shoulderbag Car/Truck: Color, Type, Brand, Model 2-Wheel: Type

Compression	
<b>Resolution</b>	6MP (3296x1856) / QHD (3200x1800) / 2880x1624 / 2688x1520 / 2MP (1920x1080) / 1MP (1280x720) / D1 (704x576) / CIF (352x288)
<b>Frame Rate</b>	1-25/30FPS
<b>Video Compression</b>	H.265+/ H.264+ / H.265 / H.264 / MJPEG**
<b>Multi-Stream</b>	Master Stream: 6MP(3296x1856) / QHD (3200x1800) / 2880x1624 / 2688x1520 / 2MP (1920x1080) Substream: 1MP/QVGA/D1/CIF Third Stream: QVGA/D1/CIF (1~30fps)
<b>Bit Rate</b>	64Kbps ~ 8Mbps@H.265 / 128Kbps ~ 10Mbps@H.264
<b>Encode Mode</b>	VBR/CBR
<b>Image Quality</b>	Five levels under VBR; Free adjustment under CBR

Lens	
<b>Lens (Field of View)</b>	2.8-12mm MVF with Auto Focus (108°-35°)
<b>Iris</b>	DC Iris
<b>Lens Mount</b>	Ø14 Mount
<b>Detect</b>	2.8~12mm(W): 66m(218ft) - 2.8~12mm(T): 204m(669ft)
<b>Recognize</b>	2.8~12mm(W): 13m(44ft) - 2.8~12mm(T): 41m(135ft)
<b>Identify</b>	2.8~12mm(W): 7m(23ft) - 2.8~12mm(T): 20m(66ft)

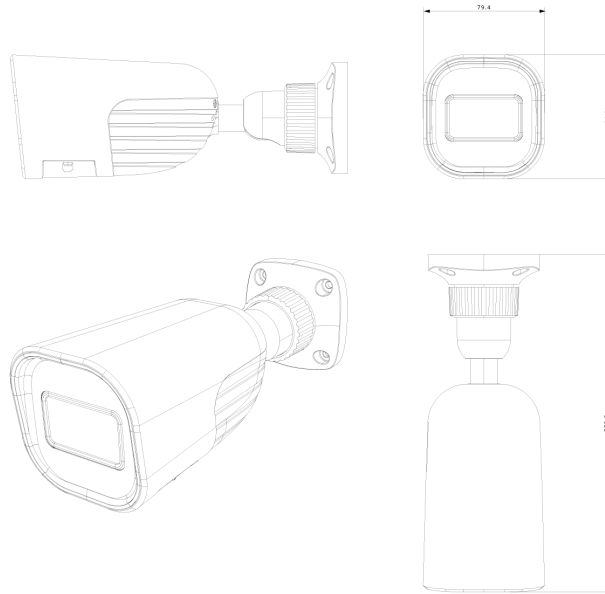
Network	
<b>User Access</b>	Supports simultaneous monitoring of up to 8 users with multi-stream real-time transmission
<b>Network Protocol</b>	IPv4, IPv6, TCP, UDP, DHCP, NTP, DDNS, SNMP, 802.1X, RTSP, RTMP, Multicast, UPnP, Email, FTP, FTPS, HTTPS, QoS, P2P, HTTP POST, Auto Report
<b>Remote Monitoring</b>	IE Browsing (Plug-In required), Chrome/Edge/Safari/Firefox plug-in free browsing, Ossia VMS Software, Provision Cam2 Mobile App *P2P WEB connetion always requires Plugin
<b>Ethernet</b>	100Mbps
<b>ONVIF</b>	Profile M/T/S/G

Connectivity	
<b>Network</b>	RJ45 (+PoE)

<b>Audio Connectivity</b>	Built-in Microphone + Audio input + Audio output
<b>Alarm</b>	Alarm in + Alarm out
<b>SD Card</b>	Event/Schedule based Main/Substream recording (Up to 256GB)
<b>Wiegand</b>	N/A
<b>Power</b>	DC Socket
<b>Analog Video Output</b>	No

<b>Housing</b>	
<b>PoE</b>	Yes
<b>Illumination</b>	40m (3 High-Power IR LEDs)
<b>Power Supply</b>	DC12V/~700mA / PoE/~10W
<b>Protection Rate</b>	Water Proof: IP67
<b>Work Environment</b>	-30°C~60°C, 10%~90% Humidity
<b>Bracket</b>	3-Axis Bracket
<b>Dimensions</b>	220.8x79.4x81.2mm
<b>Weight (gross)</b>	~810g
<b>Hard Reset Button</b>	Yes

## DIMENSIONS



## ACCESSORIES

