

Smart-Sight

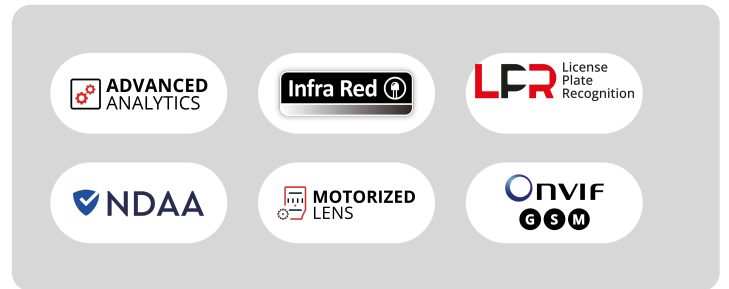
The series offers a range of AI Cameras for diverse surveillance needs. Every camera delivers superior performance and accuracy with advanced technology and purposeful design. Each component is chosen for seamless integration and optimal functionality. Whether it's fixed or motorized lenses, License Plate Recognition, or Thermal cameras, The Smart-Sight series is for you.



I6-220LPRN-MVF2

2MP MVF Lens Bullet Camera with IR LED and LPR Analytics

Provision-ISR I6-220LPRN-MVF2 LPR camera has a 8-32mm motorized lens and relies on the most advanced image-processing technology. This 2MP bullet camera is designed to capture international license plate digits and letters in real time, generating appropriate actions such as opening a gate or giving an alert. The Provision-ISR LPR cameras are best applied in gate automation and street monitoring.



MAIN FEATURES

- I6-220LPRN-MVF2 2MP MVF Lens Bullet Camera with IR LED and LPR Analytics
- Sensor: 1/1.8" CMOS (16:9)
- Resolution: 1920×1080 25/30FPS (2MP)
- Lens: 8-32mm MVF(46°-16°)
- True Day&Night – ICR
- Illumination: 80m (2 High-Power IR LEDs)
- Compression: H.265+ / H.264+ / H.265 / H.264 / MJPEG
- Quantum IoT Nano agent by Check Point™
- General Analytics: Camera Tampering
- License plate recognition
- Integrated vehicle Metadata
- True WDR(120dB), BLC, HLC, ROI
- SD Card: Event/Schedule Record (Up to 256GB)
- Alarm in + Alarm out
- Audio input + Audio output
- ONVIF: Profile G/S/M
- Water Proof: IP67
- Weight: ~1140g
- Power: DC12V/~1050mA / PoE/~11.5W



<https://provision-isr.com>

SPECIFICATIONS

3rd Party Cyber Protection	
General	Quantum IoT Nano agent by Check Point™
Protection Methods	Shell injection protection, File Monitor, Import-Table Protection, Dynamic-Memory Protection
NDAA Compliant	
NDAA Compliant	Yes
Video	
Image Sensor	1/1.8" CMOS (16:9)
Effective Pixels	1920x1080
Electronic Shutter	1s ~ 1/100000s
Day & Night	ICR
Min. Illumination	Day: 0.1lux / Night: 0.001lux (@F1.6, AGC on) 0lux with IR on
Audio	
Audio compression	G.711A/G.711U
Communication	Two-Way Audio
Image	
Image Settings	AWB, AGC Adjustable, Exposure Mode (Auto) Sharpness, Saturation, Brightness & Contrast Adjustable
Image Enhancement	True WDR(120dB), BLC, HLC, ROI
Noise Reduction	3D-DNR
Image Orientation	Mirror/Flip
Privacy Zone	Yes
Events and Analytics	
Analytics	General Analytics: Camera Tampering License plate recognition Integrated vehicle Metadata
Motion Detection	Yes
Triggers	Snapshot / Email / FTP for allow/block lists

Recognition per second	2 plates per second
Recognition distance	16~48m
license plate database	LPR (database):10000 Plate Database
Speed	LPR (detection speed): 0-100Km/h
Accuracy	Recognition rate up to 99% under good conditions
Automation	Automation: Can work as a standalone for gate automation
Metadata	Vehicle: License Plate Color, Vehicle Color, Vehicle Type, Vehicle Brand, Vehicle Model

Compression	
Resolution	2MP (1920x1080) / 1MP (1280x720) / D1 (704x576) / CIF (352x288)
Frame Rate	1-25/30FPS In Normal Mode. 1-50/60FPS in HFR Mode***
Video Compression	H.265+/ H.264+ / H.265 / H.264 / MJPEG**
Multi-Stream	Master Stream: 2MP (1920x1080) / 1MP (1280x720) (1~30fps) Sub-Stream: 1MP/D1/CIF Third Stream: D1/CIF (1~30fps)
Bit Rate	64Kbps ~ 4Mbps@H.265 / 128Kbps ~ 6Mbps@H.264
Encode Mode	VBR/CBR
Image Quality	Five levels under VBR; Free adjustment under CBR

Lens	
Lens (Field of View)	8-32mm MVF(46°-16°)
Iris	DC Iris
Lens Mount	Ø14 Mount

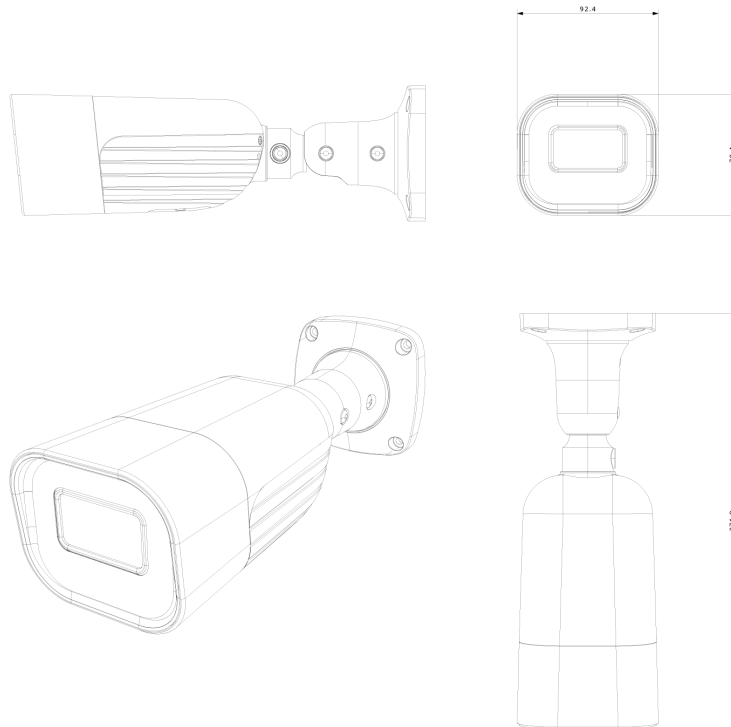
Network	
User Access	Supports simultaneous monitoring of up to 10 users with multi-stream real-time transmission
Network Protocol	IPv4, IPv6, TCP, UDP, DHCP, NTP, DDNS, SNMP, 802.1X, RTSP, RTMP, UPnP, Email, FTP, HTTP POST, HTTPS, QoS, Auto Report, P2P
Remote Monitoring	IE Browsing (Plug-In required), Chrome/Edge/Safari/Firefox plug-in free browsing, Ossia VMS Software, Provision Cam2 Mobile App *P2P WEB connetion always requires Plugin

Ethernet	100Mbps
ONVIF	Profile G/S/M

Connectivity	
Network	RJ45 (+PoE)
Audio Connectivity	Audio input + Audio output
Alarm	Alarm in + Alarm out
SD Card	Event/Schedule based Main/Substream recording (Up to 256GB)
Wiegand	26Bit / 34Bit(Output Only)
Power	DC Socket
Analog Video Output	CVBS out + Technician Port

Housing	
PoE	Yes
Illumination	80m (2 High-Power IR LEDs)
Power Supply	DC12V/~1050mA / PoE/~11.5W
Protection Rate	Water Proof: IP67
Work Environment	-30°C~60°C, 10%~90% Humidity
Bracket	3-Axis Bracket
Dimensions	271.8x92.4x79.4mm
Weight (gross)	~1140g
Hard Reset Button	Yes

DIMENSIONS



ACCESSORIES

